



HX450REL

20 - 25 YARD

Amrep's legendary quality comes to the rear loader

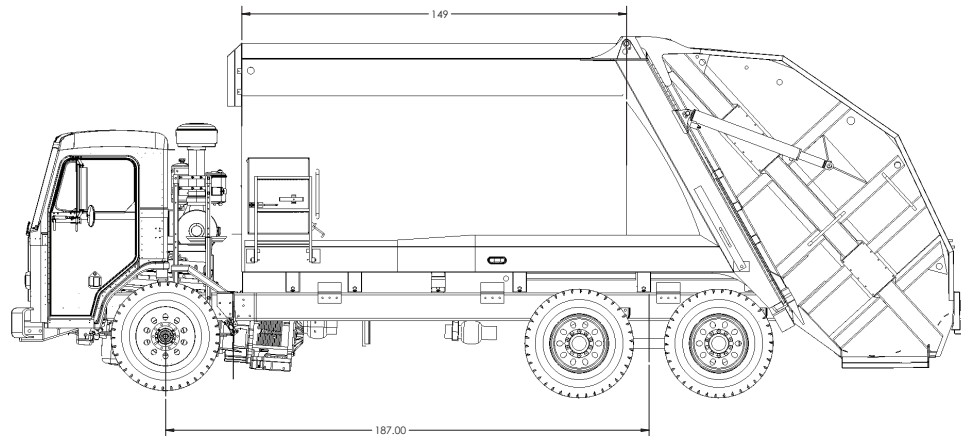
You trust Amrep truck bodies because they're built to be better, tougher, and longer lasting. Building on that tradition, the new Amrep rear load truck is the only rear loader to feature a Hardox body. That's in addition to Amrep's legendary lower maintenance, lower cost of ownership and proven-simple design. Which means our new rear loader truck might just be the longest lasting truck ever made.

FEATURES:

- Hardox-steel body construction means a longer lasting and incredibly durable truck
- Low maintenance (versus ASL – automated side loader) meaning less downtime
- Lower cost of ownership
- Maintenance and support readily/easily available through Wastequip WRX and parts from Wastebuilt



REAR LOADER



PERFORMANCE SPECIFICATIONS

Working RPM @ Idle
Dump Cycle: 16 seconds
Sweep Extend: 4 seconds
Sweep Retract: 2 seconds
Slide Extend: 3 seconds
Slide Retract: 7 seconds
Tailgate Open: 30 seconds
Tailgate Closed: 18 seconds
Compaction = 900 lb/yd³
Chromium Wear Plates and Shoes

HYDRAULICS

Pump Single gear or vane with packing flow control system
Control Valves Primary: Parker VA35
Oil Reservoir: 17–20 yd³: 40 gallon
25–32 yd³: 50 gallon
Filter Parker: 40 CN, 100 mesh suction strainer

STANDARD BODY SPECIFICATIONS

Body Floor: 3/16 in. AR450 Hardox
Side Walls, Front Section: 1/8 in. AR450 Hardox
Side Walls, Rear Section: 1/8 in. AR450 Hardox
Roof: 1/8 in. AR450 Hardox

TAILGATE SPECIFICATIONS

Tailgate Walls: 3/16 in. AR450 Hardox
Hopper Floor Liner: 2mm AR450 Hardox

CYLINDERS

Ejector Cylinder 6-1/4 in. bore x 5-3/4
Ejector Cylinder 6-1/4 in. bore x 5-3/4 in. rod x 88-3/4 in. stroke (20 yd, 3-stage)
7-1/2 in. bore x 7 in. rod x 119-1/2 in. stroke (25 yd, 4-stage)
Slide Cylinder 4-1/2 in. bore x 3-1/2 in. rod x 32-1/2 in. stroke
Sweep Cylinders 4 in. bore x 3 in. rod

1555 S. Cucamonga Ave.
Ontario, CA

909.923.0430

Amrepproducts.com

