

STANDARD BODY SPECIFICATIONS

Hoist Type

60,000lb Cable Reeving
120,000lb Cylinder Capacity
30,000lb Line Pull

Box Capacity

Up To 24ft

Rail Dimensions

12 x 4 x 3/8 x 23' 6" Rectangular Tubing
ASTM A500 steel-Grade B (50,000 yield min)

Rail Type

Outside Rail 34" (Standard)

Hoist Cylinders

5 1/2" Bore, 62 5/8" Stroke, 3" Rod

Reeving Cylinders

6" Bore, 97 1/2" Stroke, 3" Rod

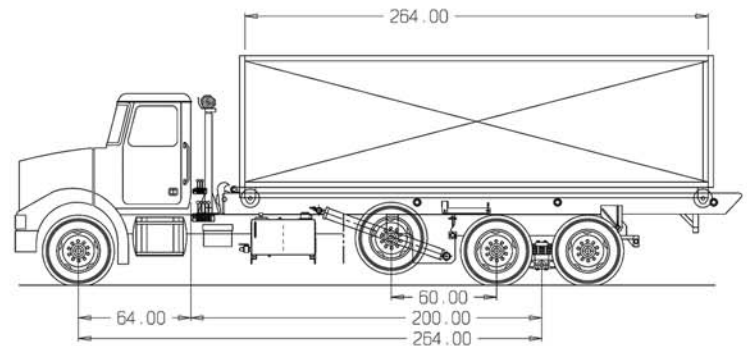
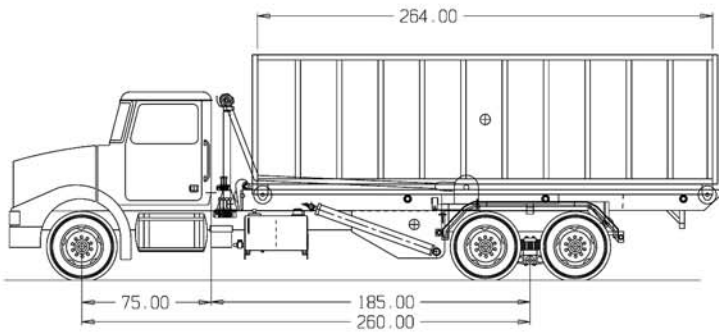
Pulleys

9" Diameter With Bronze Bushings On 2 1/4" Shafts

Cable

7/8" x 75', 6 x 25 IWRC, EIPS. Rated At 80,000lbs





CHASSIS RECOMMENDATIONS

185" Clear Frame (Without Tarping System)
 190" Clear Frame (With Tarping System)
 GAVWR - Front Axle 16,000lbs Minimum
 Frame - Heavy Duty
 Radiator - If Front Pump Is Desired Radiator Must
 Be Modified By Chassis Manufacturer
 Muffler - Vertical Exhaust With Guard And Rain
 Cap Or Horizontal

ROLL OFF SPECIFICATIONS

HOIST TYPE

60,000lb Reeving
 60,000lb Winch*
 (*optional)

RATED CAPACITY

120,000lb Cylinder Capacity, 30,000lb Line Pull

CONTAINER CAPACITY

Up To 24'

RAIL DIMENSIONS

12 X 4 X 3/8" X 23' 6" Rect. Tubing*
 10 X 4 X 3/8" X 23' 6" Rect. Tubing*
 8 X 4 X 1/2" X 23' 6" Rect. Tubing*
 *ASTM A500 steel-Grade B (50,000 yield min)

RAIL TYPES

Outside Rail (Standard 34")
 Inside*
 Inside/Outside*
 "Universal" Top Channel*
 (*optional)

CABLE PULLEY

9" Diameter Grooved for 3/4 or 1" Cable
 Bronze Bushing

ROLLERS (OUTSIDE RAIL)

(3) 4 1/2 X 2 1/2 X 4 With Zerk Fitting

CABLE

7/8" x 75', 6 x 25 IWRC, EIPS.

SUB-FRAME / FISH PLATE

1/4" X 24 X 60

HOIST CYLINDER MOUNTS

Lower Shaft 3 1/2"
 Upper Shaft 2 1/2"

HOIST ANGLE

42 - 46 Degrees (Variable)

HINGE PIN

2" X 46" Cold Roll Solid Bar

CONTROLS

Exterior - Manual Levers On Control Valve
 Interior - Pneumatic or Cable*
 (*optional)

HOIST CYLINDERS

(2) Single Stage, Double Acting
 Length - 77 1/2"
 Bore - 5 1/2"
 Stroke - 62 5/8"
 Rod - 3" Chrome

REEVING CYLINDERS

Single Stage, Double Acting
 Length 97 1/2"
 Bore - 6"
 Stroke - 83 5/8"
 Rod - 3"

CONTROL VALVE

Commercial VA35

HYDRAULIC TANK

40gal Capacity With Sight & Temp Gauge

POWER SOURCE

Transmission Mounted - Air Shift
 Transmission Mounted - Hot Shift
 Front Direct Drive
 Gear or Vane Pump

FENDERS

Minimizer - Full Tandem*
 Stainless Steel Polished - Full Tandem*
 Polished Aluminum Smooth - Full Tandem*
 Stainless Steel Polished - 1/4"
 More Available Upon Request
 (*optional)

HITCH

Pull Trailer - Premier Model 470 Air 90,000lb*
 Pup Trailer - Premier Model 470 Air 90,000lb*
 Frame or Rail Mounted With Hydraulics
 Requires Factory Installed Trailer Protection Valve
 (*optional)

TARPING SYSTEM

Full Auto Tarper*
 Spring Arm System*
 Pull Tarp System*
 Multiple Manufacturers Available
 (*optional)

CAB PROTECTION

Steel Mesh Screen Behind Cab*
 (*optional)

ELECTRICAL

Standard Incandescent Lighting
 LED Lighting Package*
 Work Lights Back Of Cab*
 Work Lights On Rear Light Bar*
 Body Electrical - Harnessed
 (*optional)

TOOL BOX

Steel Lockable 36"*
 Aluminum Lockable 36"*
 (*optional)

ICC BAR

Fixed - Standard
 Manual Moveable With Lock Pin*
 Hydraulic Automatic*
 (*optional)

MISCELLANEOUS OPTIONS

"Stinger" Extendable Rails
 Angle Iron Between Rollers
 Additional Rollers
 "Wet Line"
 Tie Down Winches

ESTIMATED BODY WEIGHT

6,900lbs (Not Including Options)

SYSTEM OPERATING PRESSURE

1800psi