



HX450FL

40 - 42 YARD

STANDARD BODY SPECIFICATIONS

Body Construction

Entire Body Shell: 1/8", 4mm or 3/16" Hardox 450
Hopper Sides: 4mm or 3/16" Hardox 450
Rear Door: 1/8" Hardox 450

Lifting Mechanism

14 - 18 Second Cycle Time
1 - 8 Cu Yd Capacity
Side Pocket Foks With Dock Loading Capability
8,000Lb Lifting Capacity
Replaceable Bronze Insert X-Shaft Bushings

Packing System

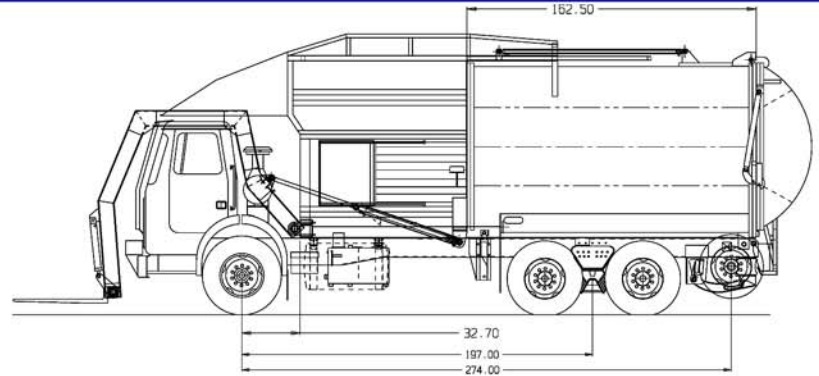
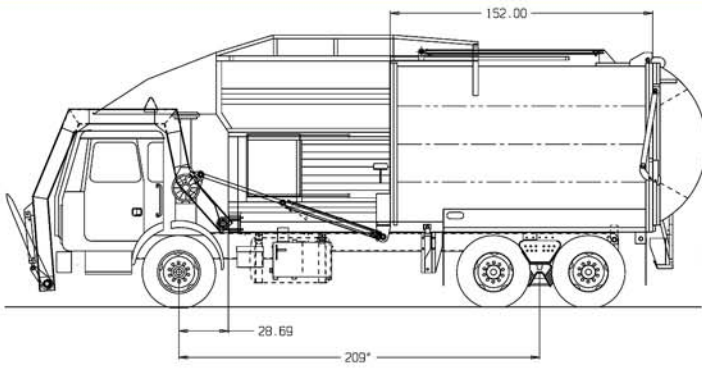
High Blade or Low Blade With Follower
(Low Blade With Follower Requires Horizontal Exhaust)
Selectable Pack Cycles
Follow Plate to Prevent Spillage Behind Blade
Full Eject or Hoist To Dump

Electrical System

Computerized Packing System
Packing Function Display
Harnessed Wiring
Weather Resistant Quick Connectors



HARDOX
IN MY BODY



BODY CONSTRUCTION

Body Shell - 1/8", 4mm or 3/16" Hardox 450

HOPPER CONSTRUCTION

Lower Sides - 4mm or 3/16" Hardox 450

Upper Sides - 4mm Hardox 450

HYDRAULIC REAR DOOR

Hydraulic Actuated Single Rear

Steel Convex Door

Door Sheets - 1/8" Hardox 450

CAB CANOPY

Sides And Top - 14 Gauge Mild Steel

PACKER FOLLOWER (Low Blade Only)

Attached To Top Of Packer Blade To Prevent

Refuse From Collecting In Front Area Of Body

Follower Cover - 10ga High Tensile Steel

(Low Blade Only)

PACKER BLADE

Push Type "A" Frame Box With Shoes to Slide In

Full Length Channel Guides On Body Floor

Face - 1/4" Hardox 450

Sides - 3/8" Mild Steel

Length - 30"

Width - 80"

Height - 60" (High Blade - 84")

Guides - 6 x 15.3# Channel Full Length Of Body

Wear Guides - Hardox 500 Wear Plate

LADDER

Right Side Of Body To Provide Access

To Body Roof With PTO Lockout When In Use

LOADING MECHANISM

8,000Lb Capacity, Rectangular Tubing With Flat

Bar Straps And Reinforcement Gussets

FORKS, CROSS SHAFT & BEARINGS

Side Pocket Forks 6 1/2 x 1 1/4 x 51"

Cross Shaft - Cold Drawn Seamless Tubing

Tubing - 3 1/2" O.D. x 1/2" Wall 80,000psi

(2) Bronze Bushings Grooved For Lubrication

Bushing Size - 4 1/2 x 3 1/2 x 2 1/2

ARM CROSS SHAFT & BEARINGS

Cold Drawn Seamless Tubing, Bolt On Mounting

4 1/2" x 1/2" x 80,000psi (3/4" & 1" Optional)

Mounting - "U" Bolt Half Cap Wall Mounted

(2) Full And (1) Half Bronze Bushing Grooved For

Lubrication

Full Bushing - 6"O.D. x 4 1/2" I.D. x 6" Long

DECELERATION VALVE

To Allow Maximum Operating Speeds Without

Driver Correction

CONTAINER STOPS

Rubber Pads Mounted Inside Forks At Shaft

HOSES AND FITTINGS

HD Double Wire Braided Parker 100r2 SAE Hose

With Jic Fittings

Zinc Dichromate Seamless Steel Tubing

RESERVOIR

60 Gallon Capacity With Breather Cap Shut Off

Valve And Tank Drain Plug

A 20-Micron Return Line Filter Cartridge With A

20PSI Bypass Valve

Vertical Baffles, 150-Micron Re-usable Suction

Filter

CONTROLS

Air Controls Mounted In Cab To The Right And

Forward Of Operator And Outside On The

Street Side Of The Body

CONTROL VALVE

Commercial A-35 With Built In Relief Valve

POWER SOURCE

Front Mount Or Transmission Mounted Gear

Pump

PACKER CYLINDERS

(2) Three Stage Telescopic, Double Acting, All

Chrome Stages

1st Stage (Pack) - 6 1/2" I.D.

2nd Stage (Eject) - 5" I.D.

3rd Stage (Eject) - 3 1/2" I.D.

Stroke - 162 3/4"

ARM CYLINDERS

(2) - Single Stage, Double Acting

Bore - 4" Stroke - 48 3/8" Rod - 2" Chrome

FORK CYLINDERS

(2) Single Stage, Double Acting

Bore - 3" Stroke - 21" Rod - 1 1/4"

REAR DOOR CYLINDERS

(2) Single Stage, Double Acting

Bore - 2 1/2" Stroke - 35" Rod - 1 1/4" Chrome

HOPPER COVER CYLINDER

(1) Single Stage, Double Acting

Bore - 2" Stroke - 93" Rod - 1 1/4" Chrome

HYDRAULIC OIL

Anti-Wear, Corrosion, Oxidation And Foam

Inhibitors

ISO Viscosity Grade - 46

API Gravity - 31

Viscosity - 220 @ 100Deg. F

Flash Point - 430 Deg. F

LIGHTS

Standard ICC Lights And Reflectors Conforming

To California State Vehicle Code. "Truck-Lite"

Tail, Stop, Back Up And Directional Lights

MID BODY TURN SIGNAL

Directional Lights Mounted At Mid-Point Of Body

REAR DOOR LIQUID CATCH

Steel Construction Installed Under Rear Door To

Prevent Liquid Spill

CLEAN OUT DOORS

Two Doors At Front Of Body 10" x 31"

(Low Blade Only)

Full Access Door On Street Side Of Body

(High Blade Only)

OPTIONS - LIGHTING

Ecco Strobe On Rear Door

4 Additional Rear Flashing Lights

2 Rear Mounted Spot Lights

1 Additional Rear/Center Mounted Brake Light

OPTIONS - SAFETY

Fire Extinguisher

Triangle Road Kit

Spill kit

OPTIONS - CAMERA SYSTEMS

1 Camera Rear

2 Camera Rear / Right Cab

4 Camera Rear / Left Cab / L-R Alley

STEEL SPECIFICATIONS

Tensile Strength - 180,000 psi

Tensile Yield - 145,000

Brinell - 450

ESTIMATED BODY WEIGHT

16,700 Lbs

(Options May Affect Total Body Weight)

Lighter Bodies Available With Material

Modifications